

Type: _____

Model: _____

Project: _____

SPECIFICATION SHEET

MODEL: Rosemont

SPECIFICATIONS

HOUSING:

Cast brass with weathered brass finish. Adjustable shroud.
Threaded housing with with O-ring.

SOCKET/LAMP HOLDER:

One fixed ceramic bi-pin socket with stainless steel retaining springs.

LENS:

Clear flat tempered glass lens.

LAMP TYPE:

12V MR16. LED recommended. 35W maximum.

MOUNTING:

Stem threaded with 1/2" NPT. Heavy-duty composite stake included. May be mounted into threaded hubs in junction boxes or mounting accessories shown on back page.

WIRING:

Prewired with 5' pigtail of 18/2 cable.

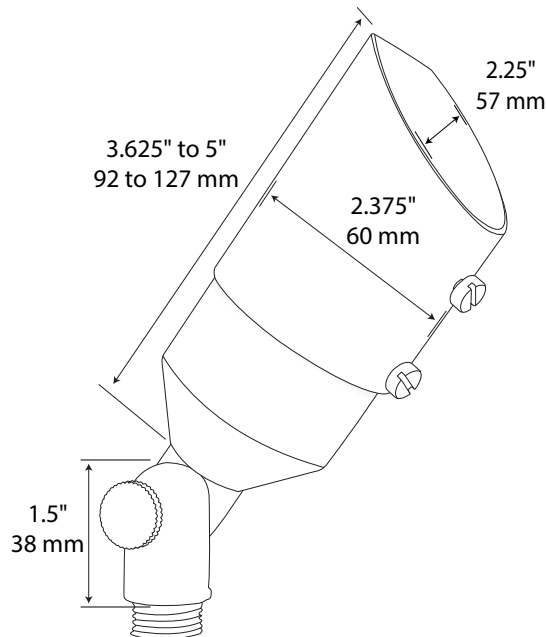
WARRANTY:

Lifetime.



The Rosemont uplight, cast from solid brass, is enclosed with a clear tempered glass lens and an adjustable shroud to control glare. Easily adjustable swivel to achieve the optimal effect. Numerous mounting options, such as the heavy-duty composite stake that is included. A very wide range of MR16 lamp intensities, beam spreads, and hues are available to maximize your creative expression.

DIMENSIONS:



LED LAMP SPECIFICATIONS

LAMP TYPE:

MR16 UL-listed (E353116) 12V lamp with 5-year warranty, dimmable, and suitable for enclosed luminaires.

OPTICS:

Integral optics providing available beam spreads from 15° to 100°.

COLOR TEMPERATURES:

Color temperature options provide the following qualities: 2700K=ultra-warm; 3000K=warm white; 4000K=neutral white; and 5000K=cool white. Decorative color light options include amber, blue, green, and red.



FITTURE	LAMP			MOUNTING		RISER	
	WATTAGE	BEAM SPREAD	COLOR TEMP.				
Rosemont	2W	25° / 40° / 60° / 100°	2700K / 3000K	MS	Composite stake (incl.) 490029	R2	2" brass riser 490038
	4W	25° / 40° / 60° / 100°	2700K / 3000K	M3	3-prong tri-stake 490030	R3	3" brass riser 490039
	5W	15° / 25° / 40° / 60° / 100°	2700K / 3000K	MR	Round 3-hole surface mount 490048	R6	6" brass riser 490031
		25°	Amber / Blue / Green / Red	MP	PVC mounting stake 490037	R12	12" brass riser 490032
	6W	25° / 40° / 60°	2700K / 3000K			R24	24" brass riser 490033
	7W	25° / 40°	2700K / 3000K / 4000K / 5000K				
		60°	2700K / 3000K				